



The SKYHOOK



HOLIDAY CITY AMATEUR RADIO CLUB

www.hcarc.us

February 2009

Toms River, NJ

Program for the February Meeting

Some of our members have served in the armed forces. A few of them have volunteered to share those experiences particularly in radio communication or the newly developed radar or other interesting aspects of their military experience. A recent article in the January issue of QST described resurrecting command sets and bringing that WWII command set receiver back to life. When I first started in Ham radio back in the 50s the command sets (ARC 5) were plentiful and could be picked up for a few dollars on Cortland Street.



Pizza Meeting

Our February meeting will be a pizza meeting. Please save some room after dinner for this delicious treat.

Dates to Remember

- February 5 Regular Membership Meeting
- February 9 Club Luncheon
- February 11 V.E. Session Evening at 7:00 PM**
- February 23 Club Luncheon
- February 25 Executive Board Meeting

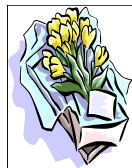
Birthdays & Anniversaries

Birthdays

02/07 Ed Genoino WA2NDA

Anniversaries

- 02/03 Shirley & Murray KD2IN Goldberg
- 02/03 Sally & Ed WA2NDA Genoino
- 02/17 Rose & Fred K2KHH Fanizzo
- 02/25 Marie & Dan NT1C Repetti



The President's Corner By Dave WA2DJN



Well wasn't the January meeting presentation very interesting and informative. Our guest speaker Gary did a great job of presenting one form of Digital Asset Management, photo organization. Today with modern digital cameras and the tremendous memory available one could easily take hundreds of pictures on a one or two week vacation. How to store and sort these photos, sometimes thousands of them, that we accumulate over time makes Gary's program very inviting. Gary has been developing this program for a couple of years now and will be marketing it soon. Sorting by subject or trip or by any title you could come up with makes it easy to get back to whatever you want to view. Now instead of the shoe box full of pictures to sort through we save thousands of pictures on our computer and with Gary's program one can sort them quickly whenever we want to look at any particular one or group of pictures.

The winter has arrived with a real cold snap. Temperatures have sunk to single digit numbers on some mornings so I hope you have completed all your antenna work. It is not too soon to start thinking about Field Day. This years Field Day will take place on Saturday June 27th and Larry has secured our club permit for the Toms River Park. Last year the weather cooperated and we had an outstanding time with a large number of club members participating. Please start to think about how we can improve our operation over last year's event. Hopefully the temperature won't be unbearable and we can also have the wives join us in the afternoon for a picnic. We improved our score over the previous year and hopefully we can achieve an even higher score this year. Last year Larry's grandson Matt, KC2IGE, dazzled us with some fancy footwork on CW and hopefully some of us could help improve our total score by also operating CW. When we operate CW each contact is scored twice as compared to SSB contacts. I assume we will be operating two rigs and a GOTA station in class 2A with the generator for power. Maybe we can operate PSK or RTTY as each of these contacts is scored as double points. We operated from 2:00 PM until 8:00 PM and we should be able to do the same this year.

Got any ideas to make the day more enjoyable while improving our score? Let us know your thoughts.

73 for now
Dave

NEXT MEETING: February 5, 2009
Thursday 7:00 PM
Meeting Rm. #1 at Holiday City South
Clubhouse
Mule Rd. at Santiago Drive

Those Funny Symbols On Your Keyboard. What Are They For?

By Murray Goldberg KD2IN

Of course we all know that the symbols for punctuation are there to be used when we type up a letter. Could we do without the period, question mark, comma and so on? But how about the tilde ~, or the pipe | ? Then there are the slash / and reverse slash \, or slash as it is known in computer programming circles. And there are lots more of these odd ones.

I got to wondering about the @ at sign. Where did it come from? How did it become the indispensable part of every email address?

A Google search led me to a source of information in Wikipedia. (Just type define: and whatever you want explained or researched, and presto, there it is!)

So about @. It denotes an abbreviation of the word *at*. It began as the shorthand phrase 'at the rate of' in accounting and commercial invoices. For instance: 7 widgets @ \$2 each= \$14. It is also known as the asperand.

By 1902 it was first incorporated as a key on an early typewriter. It was eventually made official in 1963 by being included in the ASCII computer character set. IBM included the symbol on it's 1961 Selectric typewriter.

Ray Tomlinson was an early computer programmer at Bolt-Baranek & Newman who were developing the internet system for the military (DARPA) in the early 1970s. He had already figured out how to have users of a computer at a single location, such as at his laboratory, leave messages for others to be picked up later. When he had to devise a method for sending messages between computers located at other sites, such as colleges or military installations, he needed a way to add the destination, or location of the other site, to the message header. Naturally he picked the equivalent of at or @. Easier to pick the @ key off the keyboard than spell out where the message had to go. So it became 'jdoe @ MIT' for example.

Oddly, although he in fact created the email system we use today, he is most famous as the introducer of the @ symbol.

This was a comment I picked up on the internet about Tomlinson:

"Like certain other pioneers of the information age, such as Tim Berners-Lee and Vint Cerf, Tomlinson has changed the world and made a lot of others rich without cashing in himself. "Innovation is sometimes rewarded," he says with a laugh, "but not this innovation."

To read a comment about all this written by Tomlinson himself, go to:

<http://openmap.bbn.com/~tomlinso/ra/home.html>

More on those other keyboard symbols in a follow-up article.

73, Murray murrgold@comcast.net

CHU Canada

For many years the Canadian Time Check station "CHU" had been operating and providing time signals on 7335 KHZ. Due to many complaints from listeners about interference from other short wave stations CHU requested a move to 7850 KHZ. On January 1st 2009 that move took place. Previously the signal was very strong at my location but now, maybe due to propagation, the signal is much weaker and there is some interference that I detect. In the evening it is very difficult for me to hear them.

Our VE Crew

John W2LKS, Murray KD2IN, Bill AC2F, John K2JWH, Ed W1EAP, Larry K2QDY, Jamie W2QO, John KQ4WR, Jack KC2FS, Stan KB2PD Steve N2WLH, Kevin W2FA

CLUB COMMITTEES

Refreshments: John K2WJH, Carl W2PTZ

www.hcarc.us Webmaster: Steve N2WLH, Kevin W2FA

Publicity: Ed W1EAP

Programs: Murray KD2IN

Sunshine: John Hann W2WJH

Event Food Committee: Grace Marie (K2QDY)

Field Day: Larry K2QDY

VE Sessions: Bill AC2F, Larry K2QDY plus the 'crew'

Skyhook: Larry K2QDY

Funds Raising: Open

Membership: Bill AC2F

HOLIDAY CITY AMATEUR RADIO CLUB

Toms River, New Jersey

Web Site www.hcarc.us

President	Dave Ottenberg	WA2DJN	732 505-5953
Vice President	Ed Piccuti	W1EAP	732 736-0955
Secretary	Norm Smith	W2PXE	732 920-5423
Treasurer	Joe Militano	KC2QLA	732 657-7092
Executive Board	Don Smith	W2III	732 505-4821
Executive Board	Larry Puccio	K2QDY	732 349-2950
Executive Board	Bill Haldane	AC2F	732 240-7064
Executive Board	John Hann	W2JWH	609 660-0985
W2HC Trustee	Don Smith	W2III	732 505-4821

Membership is open to all interested persons. Ham license is not required.

Dues are \$20.00 per year, payable Jan. 1st. Members joining during the year will have the dues prorated. Family membership \$10.00

Meetings are held on the first Thursday of every month, at 7:00 pm.

Location: Meeting Room #1 in the Holiday City South Clubhouse.

Directions: Go to Mule Rd. and to the corner of Santiago Drive. Turn into Santiago Dr., then into the parking lot in front of the pool. Enter bldg. on right.

The SKYHOOK is published monthly.

Editor and Publisher:

Larry Puccio K2QDY phone: 732 349-2950 E-mail lpuccio1@comcast.net

Send all newsletter items to: Larry Puccio 22 Sabinas Street
Toms River, NJ 08757-6445

ARRL Presents New Membership Benefit

Reprint with permission of the ARRL

With just a mouse click or two, ARRL members can now access the online QST magazine archive <http://www.arrl.org/members-only/qqnsearch.html>. This new benefit -- a service of the ARRL Technical Information Service (TIS) <http://www.arrl.org/tis/> -- provides PDF copies of all QST articles from December 1915 through December 2004, enabling members to view and print their favorite article, project and more. For many years, the TIS has provided members with assistance researching ARRL periodicals and publications, as well as providing members and non-members with article reprints for a small fee. Access to the new online digital QST archive is free for ARRL members, and is for their personal use only -- material in the archive may not be freely distributed or copied.

"Having access to every issue of QST through 2004 is absolutely incredible!" said ARRL Lab Manager Ed Hare, W1RFI. "The best of the best of QST from every era is now at the fingertips of every ARRL member with a keyboard and an Internet connection. Members can research articles on any subject that interests them, or just browse the past issues. This will be a popular membership benefit that will be of special value to new and long-time hams alike. This valuable content will help radio amateurs who use QST as a technical resource -- for projects, equipment 'hints and kinks' -- and for other research contributing to the advancement of the radio art. We know many hams will simply enjoy perusing these pages of history, too."

The ARRL Periodicals Archive and Search lists every article for QST from 1915 to the present, QEX from 1981 to the present, Ham Radio from 1968 to 1990 and NCJ from 1973 to the present (please note that beginning in 1998, each issue of QEX covers two months). Only ARRL members will be able to download and print copies of the QST articles.

QST magazine is the official journal of ARRL, the national association for Amateur Radio. An interest in Amateur Radio is the only essential qualification of membership. ARRL membership is \$39 per year in the US. For a complete list of membership benefits and dues, please visit the ARRL Membership Web page <http://www.arrl.org/join>.

PL-259 Installation

A while ago our own Steve Jackson N2WLH, provided the club with a presentation of how to install a PL-259 connector. This was an interactive program and some of our members actually got hands on practice. For those of us that need a refresher the following may be helpful.

PL-259 Connector installation

Want a good video on installing a PL-259 Connector? This is a six minute video that can be shown at a club meeting. Installing a PL-259 on RG-213

<http://www.youtube.com/watch?v=n1nabA6yMol>

Installing a PL-259 on RG8X

<http://www.youtube.com/watch?v=PzXXjzmA-IE&feature=related>

Studying for you Technician License

I received the following letter from Hamilton Carter KD0FRN who has developed a study aid. I tried it and it looks like a real good program. Why not give it a try.

Hi Lawrence,

I just saw the Holiday City ARC on the [arrl.org](http://www.arrl.org) web site and I noticed that you offer help for newcomers. I just created a set of free online exam practice tests that I hope hams will find useful.

Within the practice tests, online study resources, (Wikipedia, NASA, ARRL, etc...), are provided for many of the questions. The list of resources available for each question is constantly growing because users can add their own favorite links to the study materials. Users can also track their test scores over time and see which sub-elements are giving them the most trouble. You can see all the practice tests at: <http://copaseticflow.blogspot.com/>

Please let me know if you find it handy, or if you think of any ways to make it better. Also, if you think it's useful, please feel free to add a link to the practice exams at your site. Thanks!

73 de KD0FRN Hamilton Carter

ARRL Southern New Jersey Section Newsletter

Reprint with permission of SNJ Section Manager
Section Manager: George Strayline, N3GZ

I certainly hope everyone had a Merry Christmas and a very Happy New Year! Can you believe its 2009 already? The years are just zipping right along. I can still remember my first packet station way back in 1984 just like it was yesterday and CW was still the thriving mode. I never imagined Amateur Radio technology to be as it is today. It is simply fantastic and it keeps getting better!

Well now it is time to make those resolutions for the New Year. I think my first resolution for 2009 will be to try and work more CW and maybe when I get past that one perhaps I'll work on making a second, like finishing my antenna farm and getting my shack in order. I'm certain that was my resolution last year and so I guess my new resolution should actually be resolving my old resolutions. Yeah, that will work just fine for me until next year. Resolutions remind me of real bad QRM - Hi Hi

January is now among us along with the colder weather. I suppose most of us will be spending more time indoors playing radio. If you are planning a winter hibernation in your shack; Keep in mind the ARRL has introduced some fascinating new contest and award programs for 2009 such as the Year of the State QSO Party Award. <http://www.arrl.org/awards/ysqso/> Also the Triple Play Award. So blow the dust off those old rigs and get ready for a fun and exciting New Year with Amateur Radio. For more information concerning upcoming contests and special events; visit the ARRL's contest branch webpage at <http://www.arrl.org/contests/>

It is without a doubt the greatest pleasure and my honor to start this new year serving as your newly elected ARRL SNJ Section Manager. I would like to thank everyone for your votes of confidence. Hams who did not vote for me; please rest assured in knowing that I will work very hard to earn your support in the coming years. I also want to thank Ricky Stoneking, W2RDS for his kind words of congratulations after the election. I had asked Rick to stay onboard with us as SNJ Technical Coordinator and he graciously accepted. Thanks Rick!

Please join with me while I personally thank Jean Priestly, KA2YKN for all the fine years she has given to us as our former Section Manager. I also want to thank Jean for her very kind well wishes as I assume the new post. Jean had served as our Section Manager since 1997 and leaves behind some very fond memories for many of our Hams. Included in Jean's legacy is her OM Lou Priestly, N2HQL who served alongside his YL. Thank you to both of you for your hard work and dedication to us all. We hope to hear you both on the air.

I am saddened to say that John Goheen, KB2ADL has decided not to continue as our section Affiliated Club Coor-

inator due to poor health. We are wishing you all the best John.

I would now like to introduce two Hams who will be taking appointments for SNJ Section. First is Bill Cole, N2CSA - "Affectionately known as Pappy in Cape May County" - Bill will be performing the duties of Assistant Section Manager ASM. Bill hales from North Cape May and is a member of many of our local clubs. Bill brings with him many years of experience in the field of administrative management. His wisdom will be called upon frequently. Bill is also a very good friend of mine and if you ever find yourself roaming around Cape May County please give Pappy a holler. Secondly, I would like to introduce Skip Arey, N2EI who will be assuming the position of Affiliated Club Coordinator, ACC - replacing John Goheen, KB2ADL. Skip is from Beverly, NJ - Burlington County. Skip is an Amateur Extra and authors a news column for a popular radio enthusiast magazine. He enjoys QRP, CW and SWLing - Thanks for filling in Skip, and Welcome aboard!

I am pleased to announce that several of our affiliated clubs will be participating in the upcoming DTV transition project which is a joint initiative between the Federal Communications Commission and the ARRL. Where the FCC has asked the ARRL's Amateur Radio Operators to assist the general public within their communities. The goal is to offer technical solutions and explanations in regards to technical queries concerning the digital transition. Assistant Section Manager Arnold Oberson, W2OB of SCARA had suggested and plans a "sort of open house" at the SCARA OEM where folks within their area can safely attain the information they need. I have been in communications with Cory Sickles, WA3UVV of the Gloucester County Amateur Radio Club. Cory and members of GCARC plan to set up tables at their local mall to offer the same instructional criteria with an emphasis on public relations and some well deserved press. The Delaware Valley Ragchew Club has provided a web link within their home webpage which easily points interested folks to the Commissions website providing detailed technical answers and specific DTV failure scenarios. These are just several suggestions which fit nicely into the scope of this project. A question has been posed to me concerning the availability of instructional materials, brochures, flyers, banners etc. While I am not immediately certain of the availability of materials I will be in correspondence with Atlantic Division and the ARRL concerning the availability of instructional literature. When such information becomes available, I will immediately pass it along to our participants. Keep in mind that materials may also be obtained directly from the FCC website at www.fcc.gov for immediate printing. Note: it is strongly recommended "with emphasis" that no Amateurs enter the homes of the general public to offer assistance.

Additional news Concerning the DTV project will be provided as it becomes available. I wish to thank all our clubs for their participation. Your endeavors show the true spirit and good nature of all the great Hams in our wonderful

Continued on page 5

hobby and especially our great ARRL SNJ Section.

Holiday City Amateur Club has posted their 2009 VE testing schedule.

South Jersey DX Association has announced the KP5 DXpedition and the VK9LA DXpedition.

Special Event Notice CQD, Jack Binns and the rescue at sea in 1909 Special Event 100th Anniversary Jan 22-24, 2009 Details at <http://www.jackbinns.org/>

Delaware Valley Radio Association has a full TESTING schedule for 2009

Section Emergency Coordinator Report for December Gary Wilson, K2GW SNJ SEC Stations Reporting: N2JVM N2ZSO N2RO KB2EGI WX2NJ KB2EAH

Section Traffic Report for December Dan Ostroy, K2UL SNJ STM SNJ/NNJ Section Net Reports QNI NJM 94 NJPN 177 NJSN 128 NJN(E) 154 NJN(L)164 (above nets are dual section nets of both SNJ and NNJ. Liaisons with 2RN)

SNJ Local Net Reports JSARS 374 SJTN(E)26 TN(L)22

Station Activity Reports(SAR)WA2CUW 138 WA2NDA 100 KB2BAA 97 KB2RTZ 74 K2UL 59 AA2SV 26 K2GW 18

Public Service Honor Roll (PSHR)K2UL 120 KB2RTZ 110 K2GW 91 KB2BAA 90 WA2CUW 90 WA2NDA 80 WJ3P 32 KC2IYC 31

SNJ STM Traffic Reports can also be found on the web at http://k2ul.home.att.net/stm_monthly.htm

View the entire SNJ Newsletter at <http://www.arrl.org/sections/?sect=SNJ>

TNX VM es 73 de George Strayline, N3GZ

HCARC Official Badge Ordering

The club's official badge maker is the Capital Engraving Co. in Longview, WA. To order a badge, simply call Capital at 1-800-628-4985 after 1PM M-F. All that is required is to give your call and first name and your mail address. Use your credit card to pay. Cost is \$12.50 plus \$2 S&H. Al Ross WA7UQE will take care of you and create an official logo and club name on your personal badge.

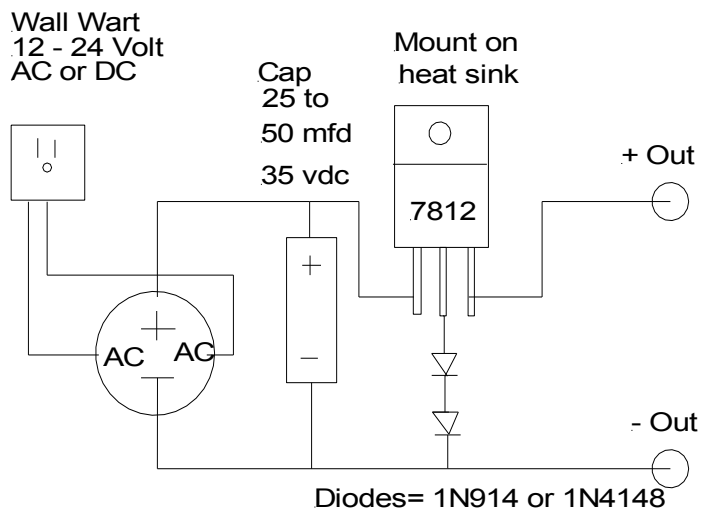
Gell Cells

At last months meeting we distributed 12V 5 AH Gell Cells that were provided by Bob Murdock WX2NJ. Bob Murdock is the ARES coordinator and usually hosts the weekly ARES net. The Gell Cells can power a HT for emergency use or an HF transceiver in the receive mode when checking for noise in the home. These type cells require special charging and can easily be damaged if over or under charged. I found this circuit in my ARES folder and it looks like a good club project or something you could build on your own.

Schematic for 12 v Gell Cell Charger by KB2OTY

This will charge Gell Cells and maintain a float charge of 13.4 volts.

The bridge rectifier will accept an input of either AC or DC from the wall wart. A 12 to 18 volt transformer of about 1 amp will also work. With the bridge on the input you don't have to worry about the output polarity of the wall wart.



The diodes raise the ground terminal of the 7812 about 1.4 volts above ground. Each diode has a .7 volt drop. Therefore $12 + .7 + .7 = 13.4$ volts.

Gell Cells should normally be charged at 1/10 their rated output.

How's DX

Russ, WA2VQV worked:

On 30 Meters CW: KP2/NY6X U.S. Virgin Islands.

On 20 Meters CW: 4A1DXXE Mexico, E70T Bosnia, LY3X Lithuania, LZ1ND Bulgaria, SN0WOSP Poland.

On 20 Meters SSB: 4A1DXXE, XE2NLD Mexico, 4O3A Montenegro, 9Z4AM Trinidad, CN89NY Morocco, CO6LC/P, CO7PH/P (both IOTA NA-086), CO8LY Cuba, EA8VN Canary Islands, ER4DX Moldova, F5CAC, TM4IPY France, HA800NAR Hungary, HI3K Dominican Republic, HR2J Honduras, IZ1JKH Italy, J39AH Grenada, LM9K75Y Norway, LY2ZZ Lithuania, LZ1ND Bulgaria, OM5DP Slovakia, PA9JO Netherlands, PR7AP Brazil, T77C San Marino, UA6BRD European Russia, VE1DX Canada.

On 20 Meters PSK31: EA6DT Balearic Islands.

Larry, K2QDY worked:

On 80 Meters SSB: LX1UN Luxembourg, PA0GMW Netherlands, DJ9RQ Germany, CN89NY Morocco.

On 40 Meters CW: CO2VQ Cuba

Joe, KC2QLA worked:

20M SSB: DJ5OT Germany, TI8II Costa Rica, CO5LC/P Cuba, IK4GRO Italy

Happy New Year, Good DX & 73 to all HCARC members
Russ, WA2VQV

Copy center (kop'e sen'ter), n.,

1. An imitation, reproduction, or transcript of an original. 2. Written matter or artwork to be reproduced in printed form. 3. A place to get your digital Xerox copying, color copies, fax services, e-mail, custom artwork, desktop publishing, scanning, business cards, letter head, envelopes, brochures, resumes, invoices, postcards, flyers, stationary, engineering and architectural prints, plotting, large format color prints, lamination, bindery, folding, padding, cutting custom imprinting, t-shirts, signs, vinyl graphics, self-inking stamps, pickup and delivery.

20 East Water Street, 732.286.2200
Toms River, NJ 08753 fax 732.286.0012

Proudly Serving Customers for over 50 years

Xerox Copying
Binding
Blueprinting
Business Cards
Color Laser Copies
Drymounting
Color Stats
Art Supplies

Fax Service
Laminating
Offset Printing
Photographic Reproductions
Transparencies
Engineering Size Copies
PMTs Stats
Enlargement/Reproductions

HOLIDAY CITY AMATEUR
RADIO CLUB
c/o Larry Puccio
22 Sabinas St.
Toms River, NJ 08757-6445

